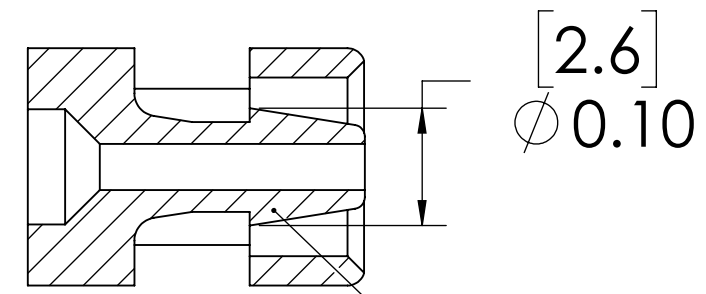


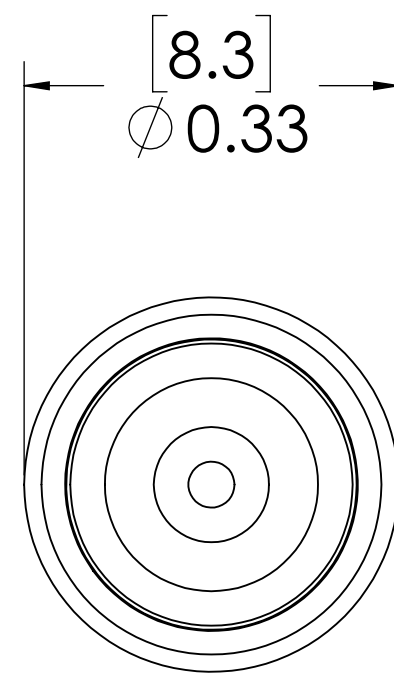
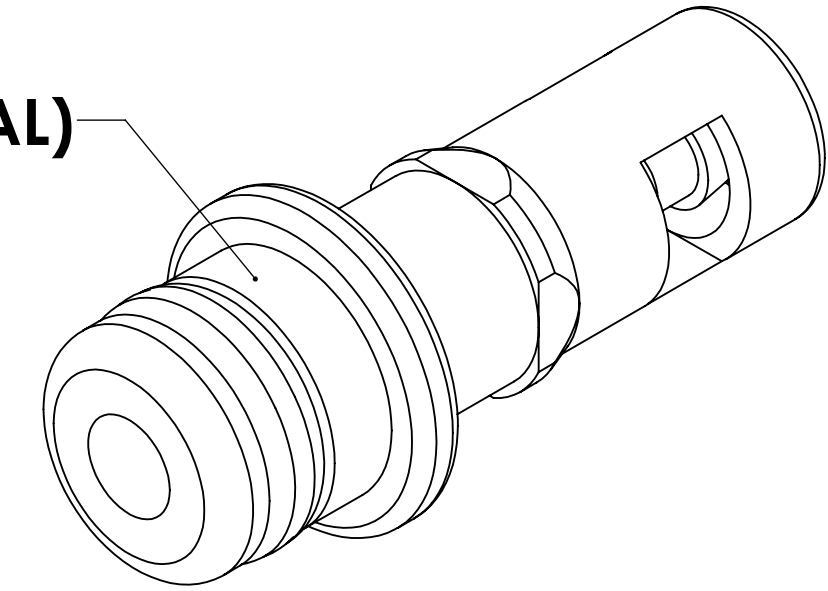
REVISIONS						
SHEET	ZONE	REV.	ECO	DESCRIPTION	DATE	APPROVED
1	ALL	A	50253	INITIAL RELEASE	8/27/2018	HRC



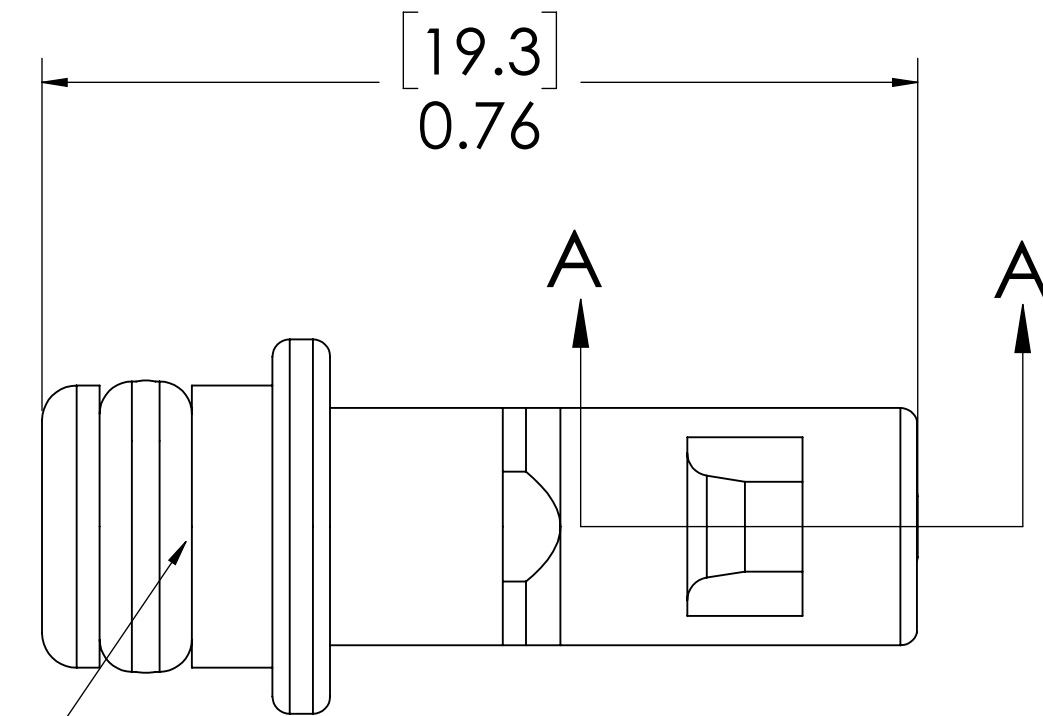
1/16" TUBE ID

**SECTION A-A**

**PLUG,  
(ACETAL)**



**O-RING,  
(BUNA-N)**



**NOTES:**

1. MATERIAL: ACETAL
2. COLOR: BLACK
3. O-RING MATERIAL: BUNA-N
4. O-RINGS LUBRICATED WITH FOOD GRADE SILICONE OIL, 350 CST.

**FOR REFERENCE ONLY**

<small>UNLESS OTHERWISE SPECIFIED:          DIMENSIONS ARE IN INCHES          TOLERANCES:          FRACTIONAL ± 1/32          ANGULAR: MACH ± 0.5 BEND ± 2          ONE PLACE DECIMAL ± 0.1          TWO PLACE DECIMAL ± 0.01          THREE PLACE DECIMAL ± 0.005          TWO PLACE DUAL (mm) [± 0.12]</small>	DRAWN	CGS	5/18/18	
	CHECKED	HRC	5/18/18	
	ENG APPR.	HRC	8/27/18	
	MFG APPR.	BDB	8/27/18	
PRODUCTION	LS	8/27/18		<b>PART NO:</b> 10AC-PB2-01NSBLK <b>DESCRIPTION:</b> LinkTech 10AC Series Straight Male, Non-valved, 1/16" HB, No Sleeve, Molded Black Color, Acetal
<small>PROPRIETARY AND CONFIDENTIAL          THE INFORMATION CONTAINED IN THIS DRAWING IS THE SOLE PROPERTY OF LINKTECH LLC. ANY REPRODUCTION OR DISCLOSURE IN PART OR AS A WHOLE WITHOUT THE WRITTEN PERMISSION OF LINKTECH LLC IS STRICTLY PROHIBITED.</small>	COMMENTS:			<b>SIZE:</b> C <b>DWG. NO.:</b> 10AC100077 <b>REV:</b> A
				<b>SCALE:</b> NTS <b>WEIGHT:</b> <b>SHEET 1 OF 1</b>